

**ELECTRICAL SPECIFICATIONS @ 25°C+/-5°C unless otherwise noted:**

**Insertion Loss: 1-100MHZ -1.0dB MAX**

**Return Loss: 1-30MHZ -16.0dB MIN**  
**30-60MHZ -14.0dB MIN**  
**60-80MHZ -10.0dB MIN**

**Cross Talk: 1-30MHZ -40.0dB MIN**  
**30-60MHZ -35.0dB MIN**  
**60-80MHZ -30.0dB MIN**

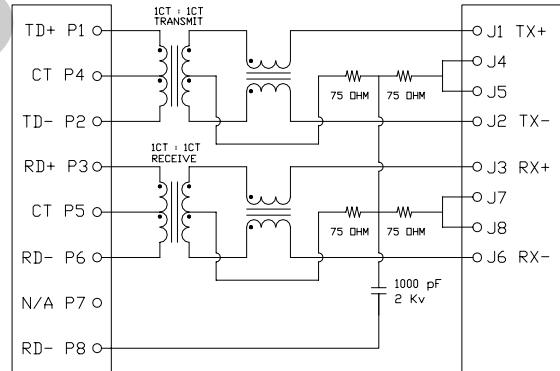
**CMR: 1-100MHZ -35.0dB MIN**

**Hi-Pot: 1500v AC 6S 1mA**

**OCL:350uH MIN @ 100KHZ 100mV 8mA DC**

**Contacts: 0.35mm thick phos bronze plated with 6u' gold in contact area**

**Operating temperature range:0°C to +70°C**



**Turn Ratio: 1CT:1CT+/-3%**

**Housing Material: PBT Black**

**HDC 有限公司**

**UNIT: mm**  
**.xx +/-0.25 .xxx +/-0.13**

**Approved By : Joan Pan**

**10/100BASE**  
**1X1Tab-Down RJ45**

**P/N: GRJJ-H7088**

**REV.**  
**A**

**Drafted by Lin Ye**

**Sheet 1 of 1**